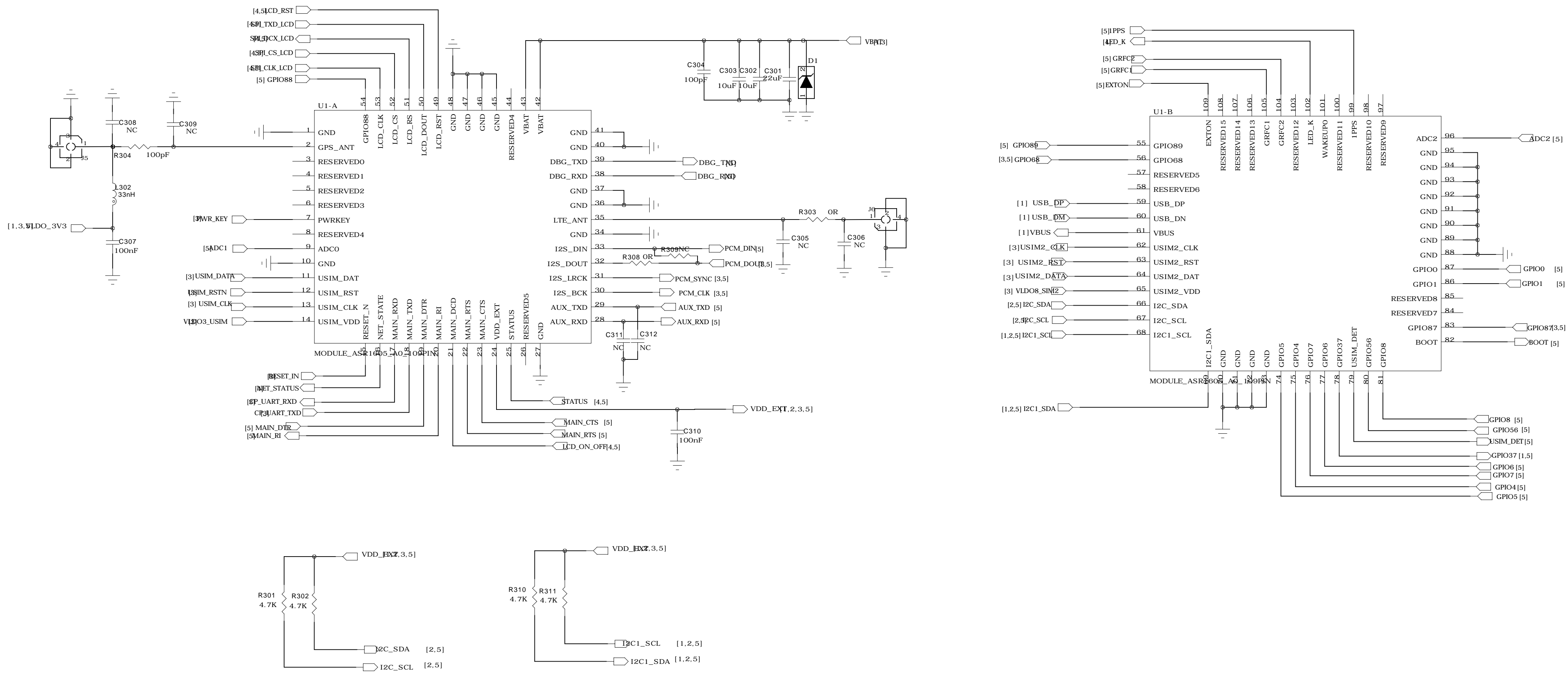
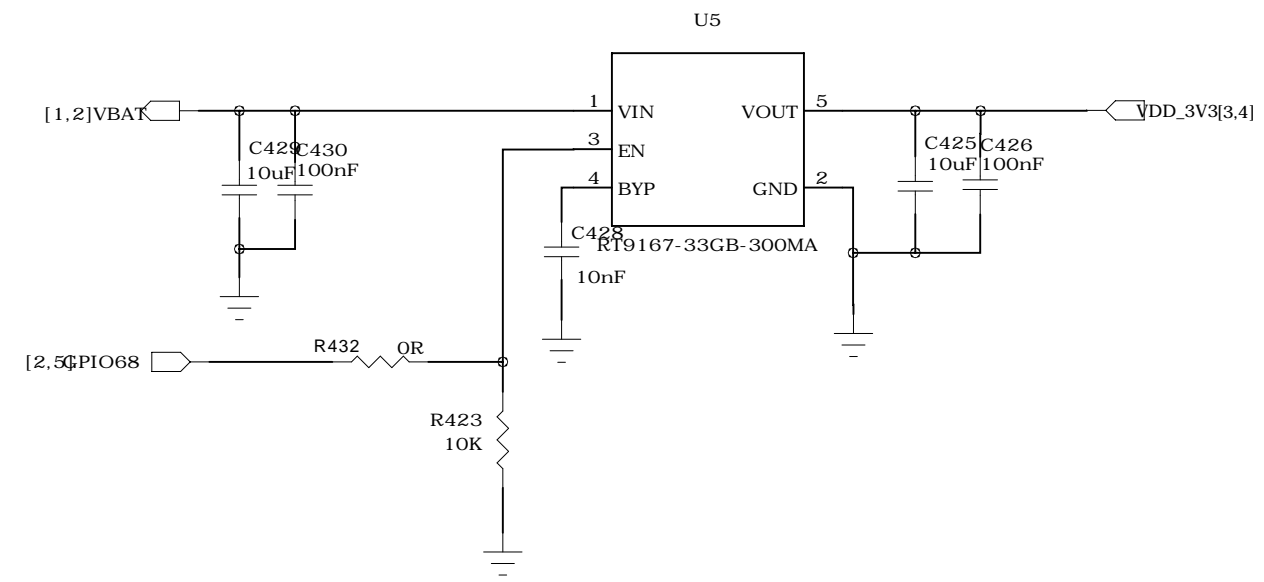
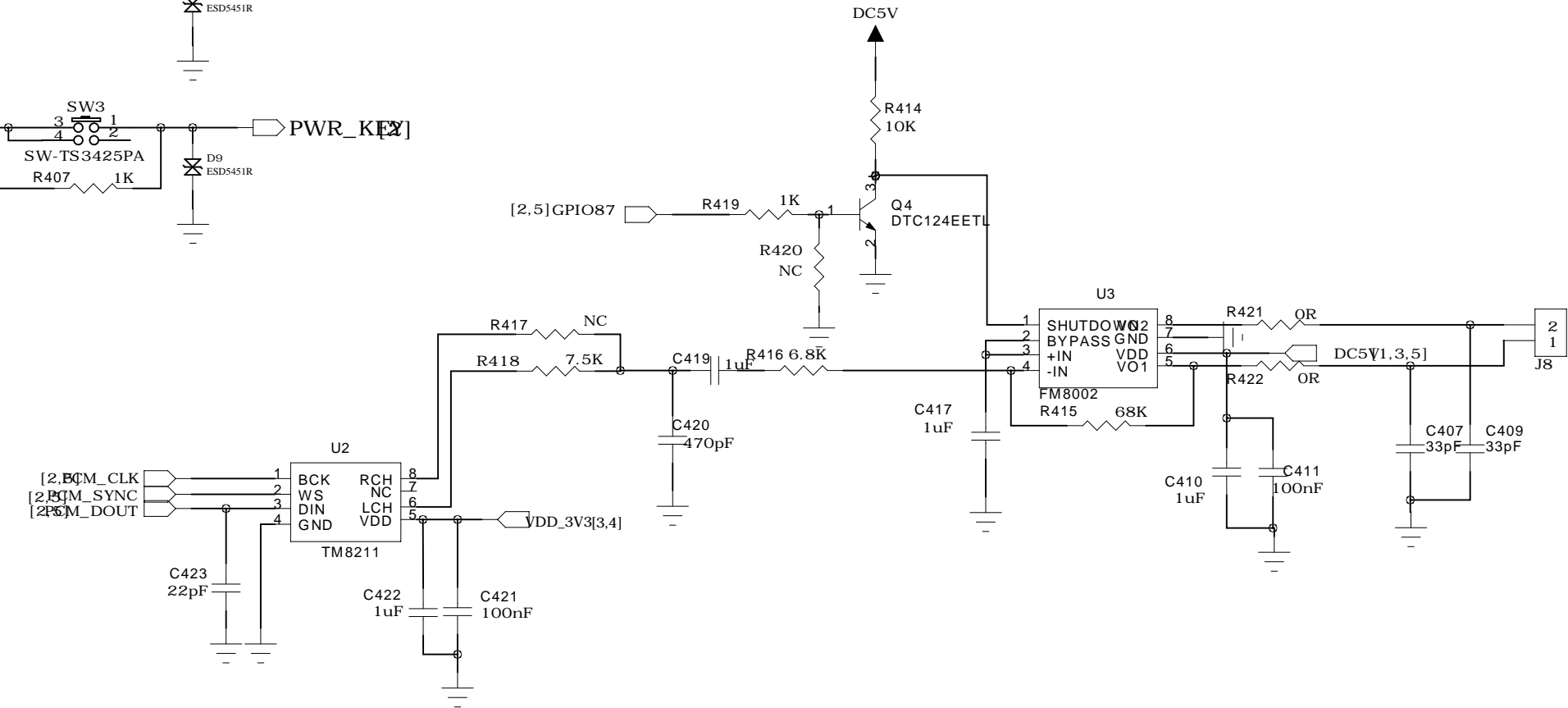
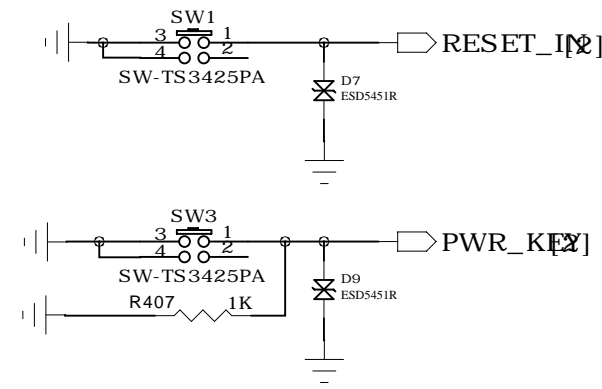
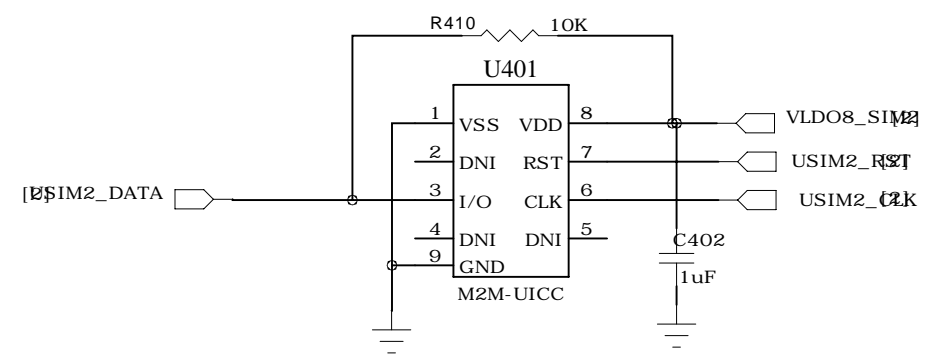
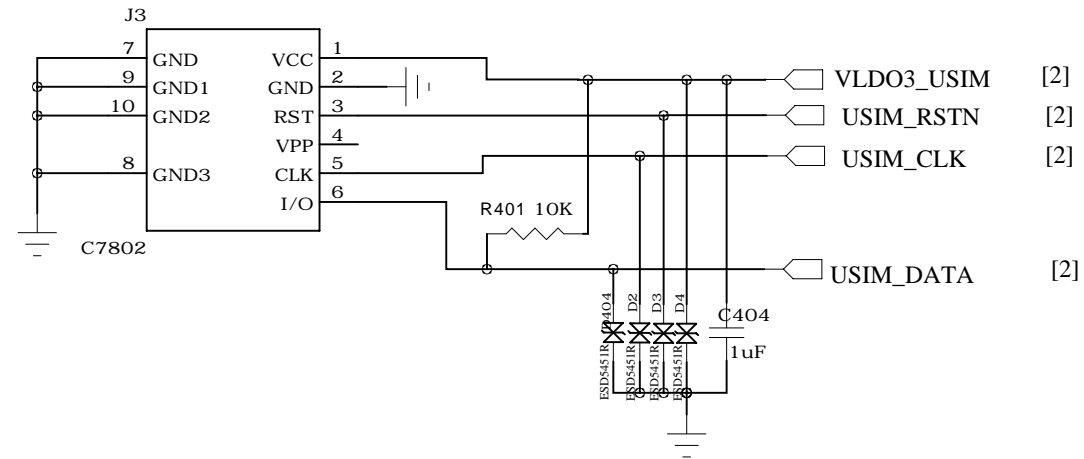
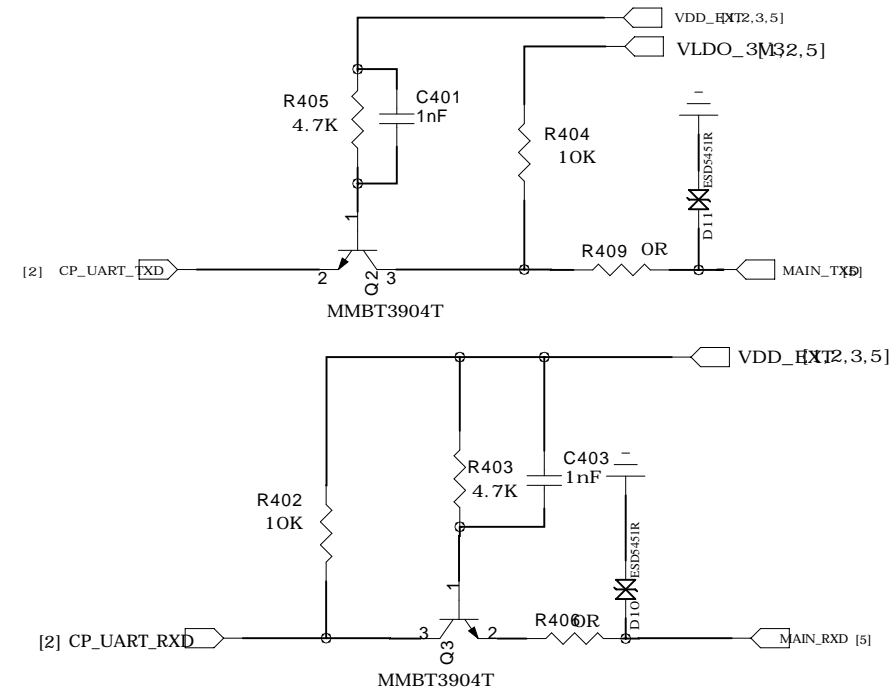


Designer	APPLEZ	Release	< OrgAddr >
DRAWING TITLE	YM310_A09 EVB		
SIZE	A2	DOC NO.	Rev < Rev >
	PCB NO.	V1.0	LAST UPDATE
	Confidential		2024.10.22
	Sheet	1	of 5

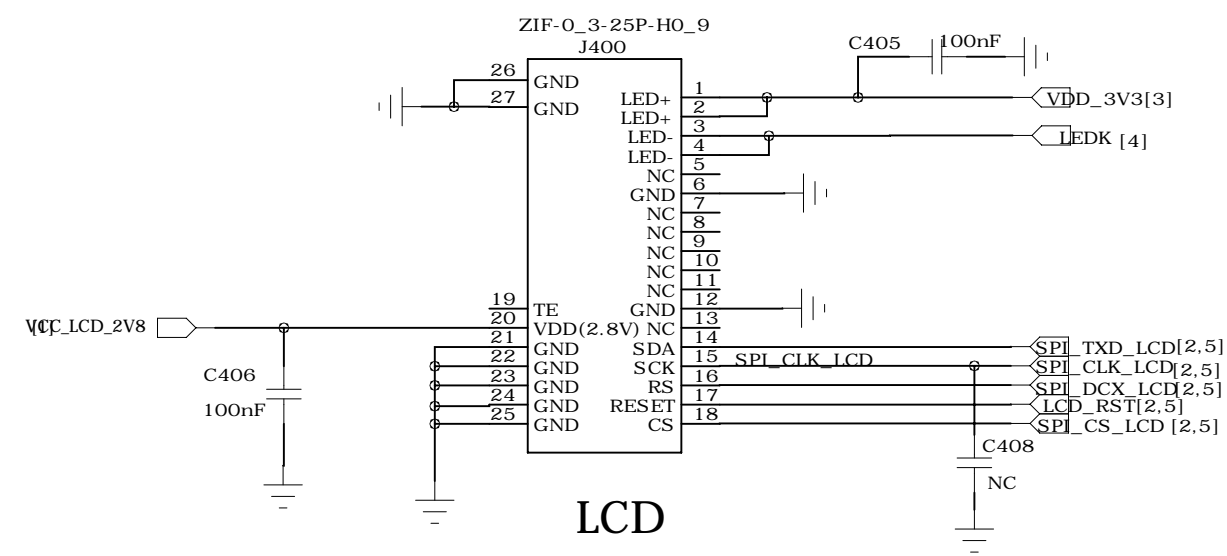
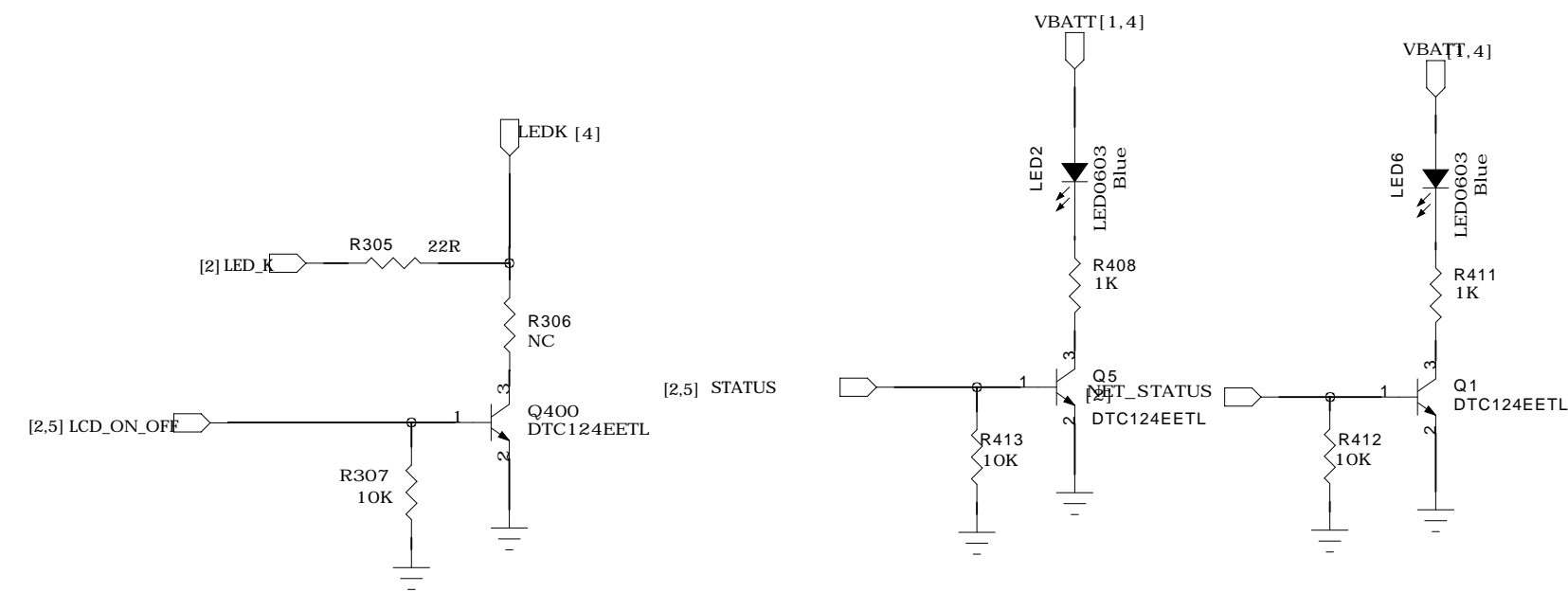


Designer	APPLE.Z	Release	< OrgAddr >
DRAWING TITLE			
YM310_A09 EVB			
SIZE	A2	DOC NO.	Rev
PCB NO. V1.0		LAST UPDATE	
Confidential		2024.10.22	
Sheet 2		of 5	

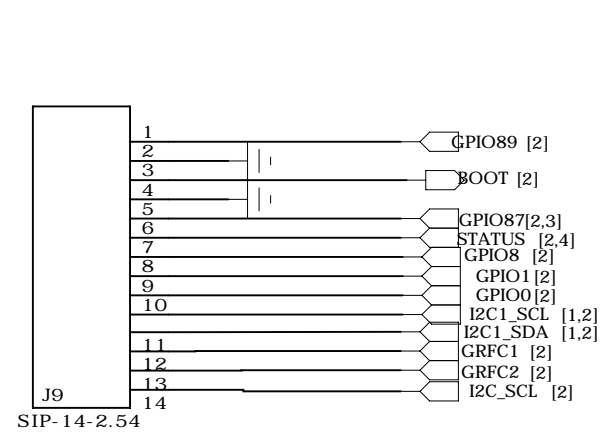
M3
⊕
MARK_MARK_1.0
M1
⊕
M2
⊕
MARK_MARK_1.0



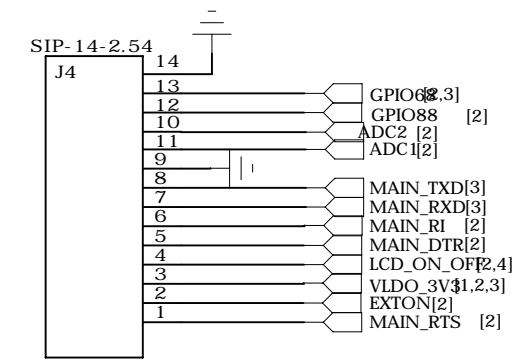
Designer	APPLE.Z	Release	<OrgAddr1>
DRAWING TITLE	YM310_A09 EVB		
SIZE	A2	DOC NO.	Rev
		PCB NO.	< Rev >
		V1.0	LAST UPDATE
		2024.10.22	
		Confidential	
		Sheet 3	of 5



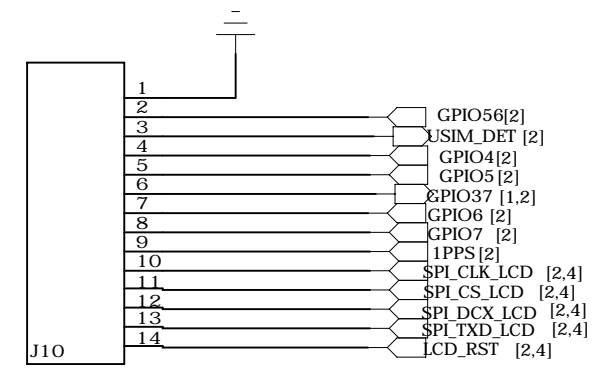
Designer	APPLEZ	Release	< OrgAddr1 >
DRAWING TITLE YM310_A09 EVB			
SIZE A2	DOC NO.	LAST UPDATE	Rev < Rev >
	PCB NO. V1.0	2024.10.22	
	Confidential	Sheet 4 of 5	



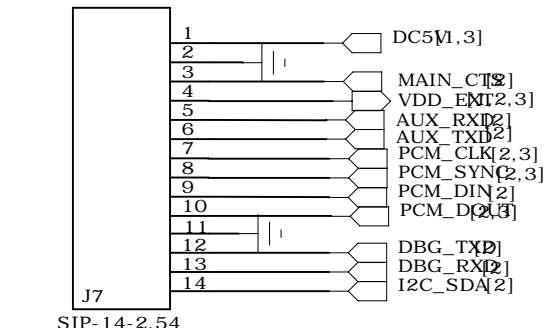
SIP-14-2.54



SIP-14-2.54



SIP-14-2.54



SIP-14-2.54

Designer	APPLEZ	Release	< OrgAddr1
DRAWING TITLE YM310_A09 EVB			
SIZE A2	DOC NO. V1.0	LAST UPDATE	Rev < Rev>
	PCB NO. V1.0	2024.10.22	
	Confidential	Sheet 5 of 5	